

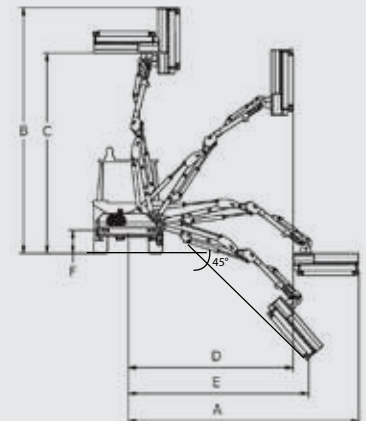
# DOC 500

For tractors 130-180 hp (7,5 m)

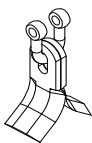


Hydraulic hedge mower of 7.5 m range, for tractors HP 130/180 and weight 6500 kg, suitable for heavy drainage and road mowing, strong, compact, connected on the tractor in high position and fast on the motions.

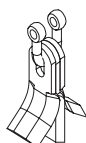
DOC 500	S/PS/AS
A mm	7.500
B mm	7.700
C mm	6.600
D mm	5.700
E mm	6.500
F mm	550



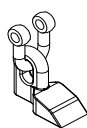
## Rotor with shackle (exchangeable tools)



**KC4**  
Ø max 2 cm  
**STANDARD EQUIPMENT**



**KC5**  
Ø max 2 cm



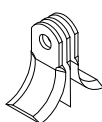
**HC2**  
Ø max 4 cm



## Rotor with bolt (exchangeable tools)



**KF4**  
Ø max 4 cm



**KF5**  
Ø max 4 cm



**KF6**  
Ø max 3 cm



**HF5**  
Ø max 6 cm



**HF4**  
Ø max 6 cm

Tools n. 20 kits per rotor

Arm mower	DOC 500 S	DOC 500 PS	DOC 500 AS
Extension E mm	7.500	7.500	7.500
Telescopic	1	1	1
Weight kg	1.680	1.750	1.780
Oil tank L	260	260	260
Head model	30.5	30.5	30.5
Pump l/min	120+20	120+20	120+20
Hydraulic Motor HP [kW]	67 (50)	67 (50)	67 (50)

### Tractor

Power HP [kW]	130/180 (97/132)	130/180 (97/132)	130/180 (97/132)
Weight kg	6.500	6.500	6.500
Width m	2,5	2,5	2,5
PTO rpm	540	540	540

### Technical features and standard equipment

- Frame in structural steel ST 52
- Highly resistant steel DOMEX700 for 1<sup>st</sup>, 2<sup>nd</sup> arm and telescopic extension terminal with hexagonal section
- Telescopic extension terminal on guide slides on ERTALON anti-wear material
- 90° rotating column and shock resistant hydraulic safety device
- Three points hitch 2<sup>nd</sup> and 3<sup>th</sup> category
- Oil tank 260 l
- Double gear pump group 3+2 - 100+20 l/min
- Bidirectional hydraulic motor HP 55 power
- Distributor with remote controls with mm 3000 flexible cables
- Self-levelling floating system
- Feeler roller recordable on 3 positions
- Head rotating angle 200°
- Helicoidal rotor with jointed cut blade KC4
- Rotor turning at 3000 rpm
- Fixing tie-rods
- Cardan joint
- Air-oil heat exchanger with radiating mass at high thermal exchange
- Rear underrun protection with lights
- Flail head mm 1300 MODEL 30.5 TTD 130 with direct transmission

### Accessories on request

- Nitrogen accumulator for 1<sup>st</sup> arm suspension
- Proportional power-assisted with joystick
- Biaxial proportional distributor with joystick SAUER DANFOSS
- Closed circuit piston Motor and Pump SAUER DANFOSS 70 hp
- Gear pump and motor PARKER - 80 hp
- Rear flail head hitch
- Belt transmission "TTC"
- Hydraulic flail head hood + additional hydraulic line (to be connected to the tractor)
- Blower (to be connected to the tractor)
- Trestle bracing + tie rods adapter
- Tie rods adapter Cat. 2 (3<sup>rd</sup> point pin 25 mm)
- Tie rods adapter Cat. 3 (3<sup>rd</sup> point pin 32 mm)

### Terminal tools

In replacement of the standard mulcher

p.83



#### PRUNING SHEAR BAR

BTZ10 16  
BTZ10 19  
BTZ10 22

p.84



#### FOREST CUTTING DISC BAR

BD3  
BD4

p.85



#### DITCH CLEANER

PF60  
PF80