

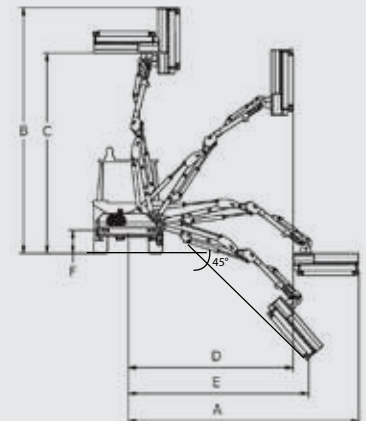
# DOC 600

For tractors 150- 200 hp (9 m)

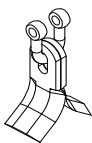


Hydraulic hedge mower of 9 m range, for tractors HP 150/200 and weight 7000 kg, suitable for heavy drainage and road mowing, strong, compact, connected on the tractor in high position and fast moving.

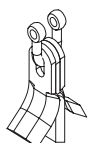
<b>DOC 600</b>	<b>9.0</b>
A mm	9.000
B mm	9.100
C mm	8.000
D mm	7.100
E mm	7.900
F mm	550



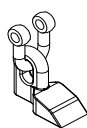
### Rotor with shackle (exchangeable tools)



**KC4**  
Ø max 2 cm  
**STANDARD EQUIPMENT**



**KC5**  
Ø max 2 cm



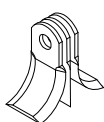
**HC2**  
Ø max 4 cm



### Rotor with bolt (exchangeable tools)



**KF4**  
Ø max 4 cm



**KF5**  
Ø max 4 cm



**KF6**  
Ø max 3 cm



**HF5**  
Ø max 6 cm



**HF4**  
Ø max 6 cm

**Tools n. 20 kits per rotor**

### Arm mower

### DOC 600

<b>Extension</b> E mm	9.000
<b>Telescopic</b>	2
<b>Weight</b> kg	1.810
<b>Oil tank</b> L	260
<b>Head</b> model	30.5
<b>Pump</b> l/min	120+20
<b>Hydraulic Motor</b> HP [kW]	67 (50)

### Tractor

<b>Power</b> HP [kW]	150/200 (112/149)
<b>Weight</b> kg	7.000
<b>Width</b> m	2,5
<b>PTO</b> rpm	540

### Technical features and standard equipment

- Frame in structural steel ST 52
- Highly resistant steel DOMEX700 for 1<sup>st</sup>, 2<sup>nd</sup> arm and telescopic extension terminal with hexagonal section
- Telescopic extension terminal on guide slides on ERTALON anti-wear material
- 90° rotating column and shock resistant hydraulic safety device
- Three points hitch 2<sup>nd</sup> and 3<sup>th</sup> category
- Oil tank 260 l
- Double gear pump group 3+2 - 100+20 l/min
- Bidirectional hydraulic motor HP 55 power
- Distributor with remote controls with mm 3000 flexible cables
- Self-levelling floating system
- Feeler roller recordable on 3 positions
- Head rotating angle 200°
- Helicoidal rotor with jointed cut blade KC4
- Rotor turning at 3000 rpm
- Fixing tie-rods
- Cardan joint
- Air-oil heat exchanger with radiating mass at high thermal exchange
- Rear underrun protection with lights
- Flail head mm 1300 MODEL 30.5 TTD 130 with direct transmission

### Accessories on request

- Nitrogen accumulator for 1<sup>st</sup> arm suspension
- Proportional power-assisted with joystick
- Biaxial prop. distributor with joystick SAUER DANFOSS
- Closed circuit piston Motor and Pump SAUER DANFOSS 70 hp
- Gear pump and motor PARKER - 80 hp
- Rear flail head hitch
- Belt transmission "TTC"
- Hydraulic flail head hood + additional hydraulic line (to be connected to the tractor)
- Blower (to be connected to the tractor)
- Trestle bracing + tie rods adapter
- Tie rods adapter Cat. 2 (3<sup>rd</sup> point pin 25 mm)
- Tie rods adapter Cat. 3 (3<sup>rd</sup> point pin 32 mm)

### Terminal tools

In replacement of the standard mulcher

p.83



#### PRUNING SHEAR BAR

BTZ10 16  
BTZ10 19  
BTZ10 22

p.84



#### FOREST CUTTING DISC BAR

BD3  
BD4

p.85



#### DITCH CLEANER

PF60  
PF80